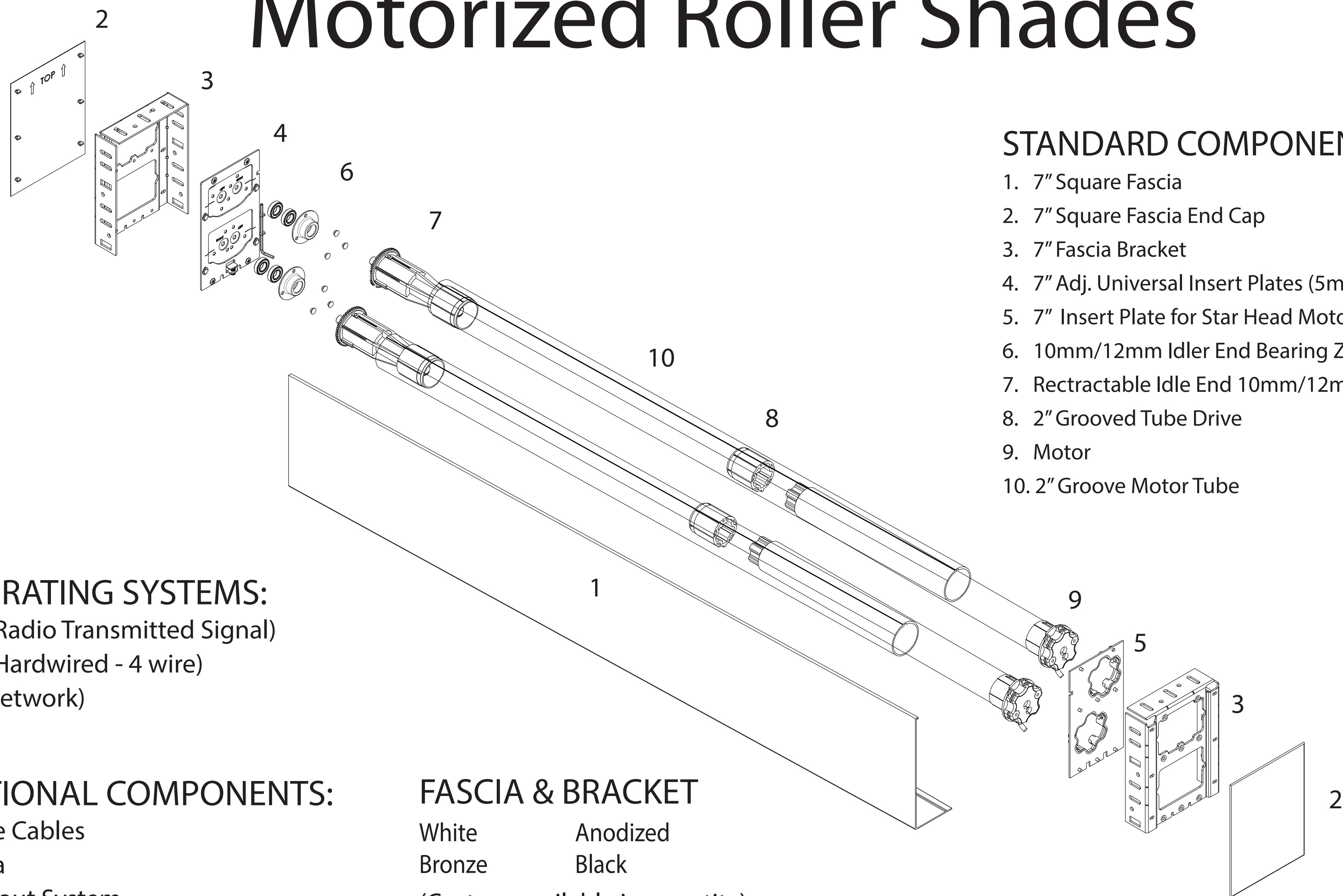


# Dual Shade System for Motorized Roller Shades



## STANDARD COMPONENTS

1. 7" Square Fascia
2. 7" Square Fascia End Cap
3. 7" Fascia Bracket
4. 7" Adj. Universal Insert Plates (5mm Low)
5. 7" Insert Plate for Star Head Motor (5mm Low)
6. 10mm/12mm Idler End Bearing Zinc Plate
7. Retractable Idler End 10mm/12mm
8. 2" Grooved Tube Drive
9. Motor
10. 2" Groove Motor Tube

## OPERATING SYSTEMS:

- RTS (Radio Transmitted Signal)
- HW (Hardwired - 4 wire)
- ILT (Network)

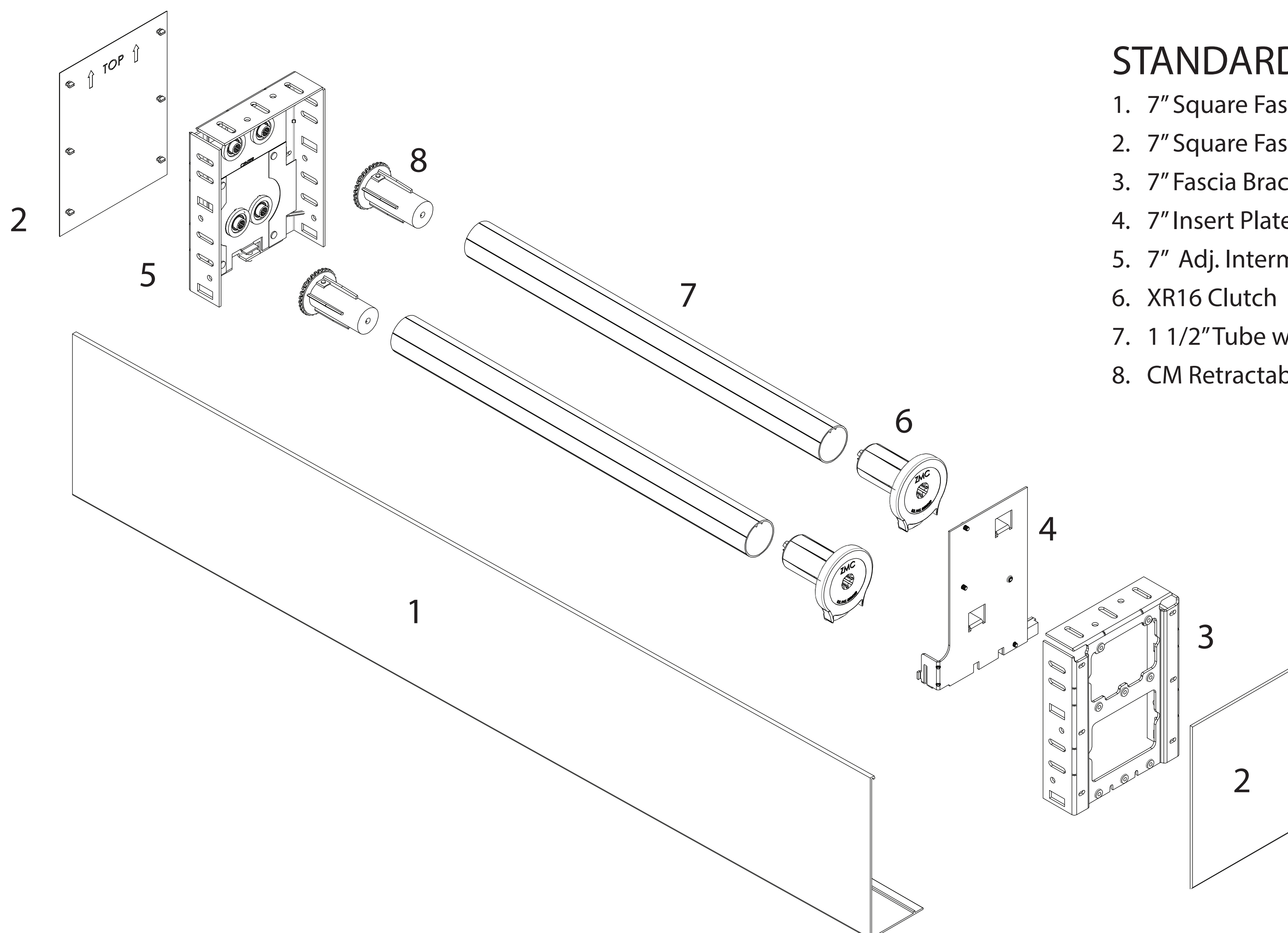
## OPTIONAL COMPONENTS:

- Guide Cables
- Fascia
- Blackout System
- Coupled System

## FASCIA & BRACKET

- |        |          |
|--------|----------|
| White  | Anodized |
| Bronze | Black    |
- (Custom available in quantity)

# Dual Shade System for Clutch Roller Shades



## STANDARD COMPONENTS

1. 7" Square Fascia
2. 7" Square Fascia End Cap
3. 7" Fascia Bracket
4. 7" Insert Plates for Dual Z16 Clutch
5. 7" Adj. Intermediate Fascia Bracket
6. XR16 Clutch
7. 1 1/2" Tube with Double Sided Tap
8. CM Retractable Coupler with Metal Spindle for 1 1/2" Tube

## OPTIONAL COMPONENTS:

- Guide Cables
- Fascia
- Blackout System
- Coupled System

## FASCIA & BRACKET

- |        |          |
|--------|----------|
| White  | Anodized |
| Bronze | Black    |
- (Custom available in quantity)