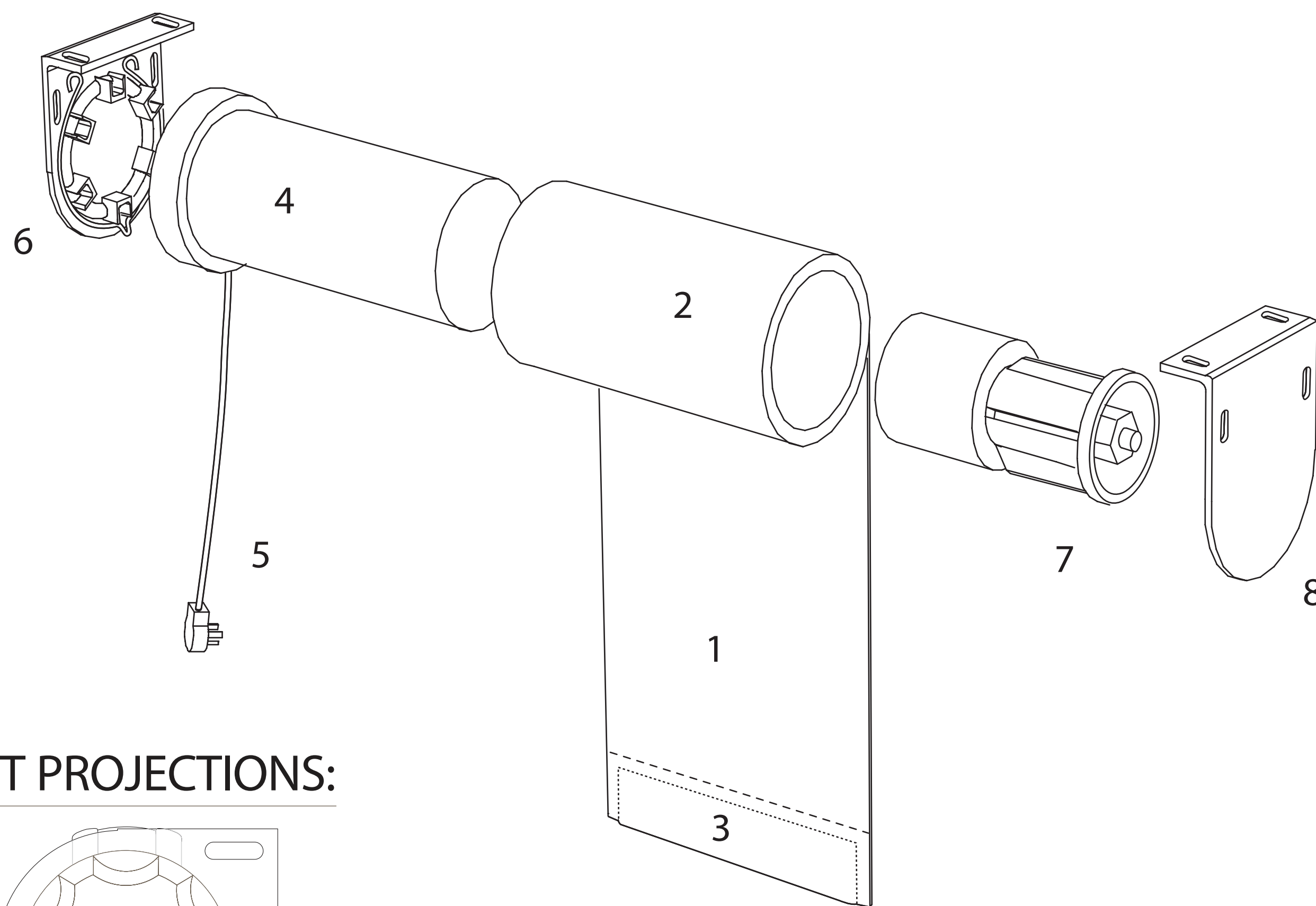


Motorized Roller Shade



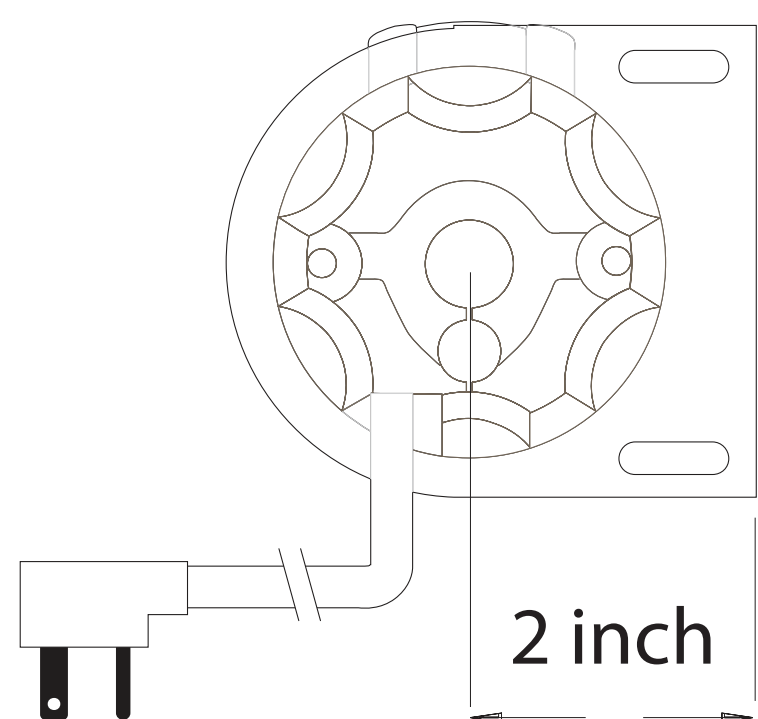
STANDARD COMPONENTS:

1. Fabric
2. 2", 2 1/2" and 3", 3 1/4" Heavy-Duty Aluminum Roller Tube
3. 2" Sealed Pocket Hem Bar
4. Motor
5. Power Cord
6. Motor Mount Bracket
7. Collapsible Idler End

OPERATING SYSTEMS:

- RTS (Radio Transmitted Signal)
- HW (Hardwired - 4 wire)
- ILT (Network)

BRACKET PROJECTIONS:



OPTIONAL COMPONENTS:

- Guide Cables
- Fascia
- Blackout System
- Dual Shade System
- Coupled System

FASCIA & BRACKET

- | | |
|--------|----------|
| White | Anodized |
| Bronze | Black |
- (Custom available in quantity)

Motorized Roller Shade with Blackout System

STANDARD COMPONENTS:

1. Fabric
2. 2" Roller Tube
3. 2" Sealed Pocket Hem Bar
4. Motor
5. Power Cord
6. Collapsible Idler End
7. 4" Fascia Brackets
8. 4" Front Fascia - 4" h x 2 3/4" d
9. Side Channels - 2 7/16" w x 1 3/8" d
10. Wool Pile
11. Bottom Channel - 2 7/16" w x 1 3/8" d
13. Mounting Hole Plugs (outside mount only)

OPTIONAL COMPONENTS:

- Guide Cables
- Dual Shade System

OPERATING SYSTEMS:

- RTS (Radio Transmitted Signal)
- HW (Hardwired - 4 wire)
- ILT (Network)

FASCIA & BRACKET

- | | |
|--------|----------|
| White | Anodized |
| Bronze | Black |
- (Custom available in quantity)

